

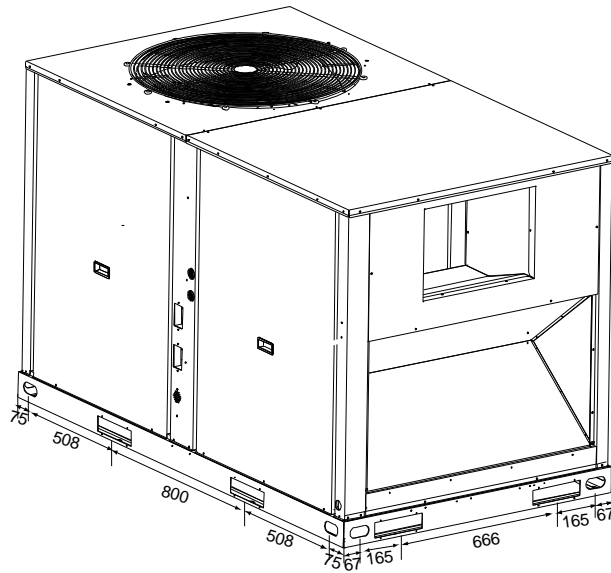
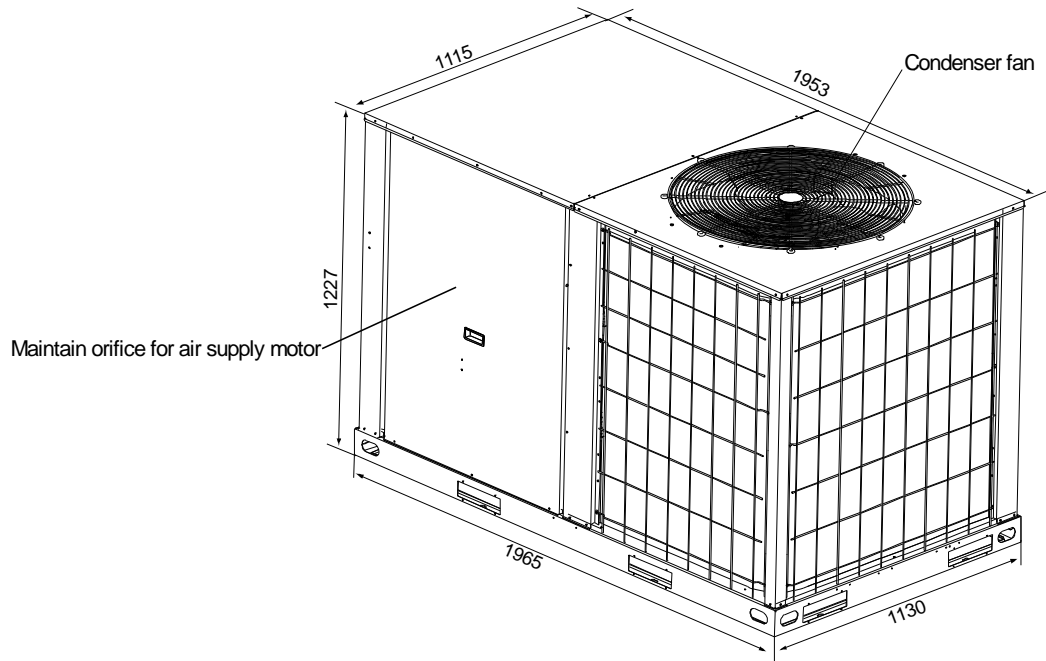
PRS-150R/410



ROOFTOP 53 KW

Nominal ton		(Ton)	15
Model		PRS-150HWN1-R/410	
Power Supply		V,Ph,Hz	380~415V,3Ph,50Hz
Cooling	Cooling Capacity	Btu/h	180000
		kW	53.0
	Power Input	kW	16.7
Heating	Heating Capacity	Btu/h	191000
		kW	56
	Power Input	kW	17.2
Max. input consumption		kW	25.0
Max. current		A	46.1
Performance	Indoor fan air flow	CFM	7000
	ESP	Pa	110
	EER	Btu/h/W	10.8
	COP	Btu/h/W	11.1
Indoor Coil	Number of rows		4
	Fin spacing	mm	1.3
		FPI	19
	Tube diameter	mm	7
inch		9/32	
Indoor fan	Type		FC Centrifugal
	Quantity		1
	Drive type		Belt
	Motors quantity		1
	Motor model		YE2-112M-4-4KW
Compressor	Type		Scroll
	Quantity		2
	Model		ZP61KCE-TFD-522+ ZP144KCE-TFD-522
	Brand		Copeland
	Capacity	Btu/h	49986+120500
	Refrigerant oil charge	ml	1656+3253
Outdoor Coil	Number of rows		3.5
	Fin spacing	mm	1.6
		FPI	16
	Tube diameter	mm	8
inch		5/16	
Outdoor Fan	Type		Propeller
	Quantity		1
	Drive type		Direct
	Motors quantity		1
	Motor model		YS1100-6
Refrigerant	Type		R410A
	Refrigerant volume	Kg	2.85+5.9
	Refrigerant Control		Piston
Net Weight		kg	492
Gross Weight		kg	512
Net Dimension	WxHxD	mm	1965x1230x1130
Packing	WxHxD	mm	1990x1260x1140
Shipping	Qty/Per 20'/40'/40'HQ		6/12/24

PRS-150R/410



Hole for bottom installation,
12-15x20

